



HubsMaster International Co., Ltd.

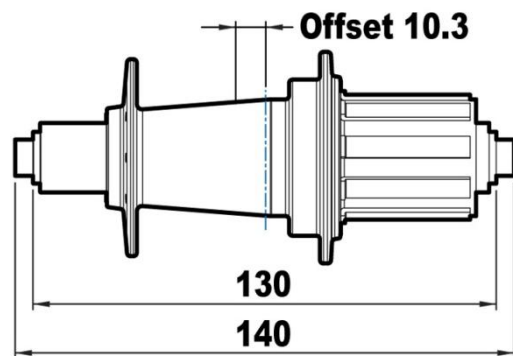
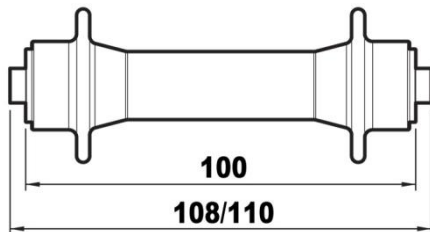
Cycle Cross Series



C09F



C09R



Specification: Cycle Cross Front Hub

Cycle Cross Rear Hub

Axle Size (length)	108 mm	140 mm
O.L.D.	100 mm	130 mm
Spoke Holes	16/18/20/24/28	20/24/28/32
Bearings	2	4
Spoke Gauge	14G - J Bend	14G - J Bend
Chain Line Offset	0 mm	10.3 mm
Material	AL6061 (Body) AL7075 (Axle)	AL6061 (Body) AL7075 (Axle ; Cassette)
Brake Type	C-Calip, Cyclocross	C-Calip, Cyclocross
Anodizing	Optional (Body)	Optional (Body) Blue (Cassette)
Weight	81g ± 5%	211g ± 5%
Freehub Body		3/6 pawls

For Shimano/Sram - 9 10 11 speed

Campy - 10 11 speed

Notes:

1. Customized demands are available.
2. Cassette is HubsMaster's patented design.
3. Products are compliant with JIS (Japan) , CNS (Taiwan) and EN (EU) requirements.
4. The bearing such as Enduro, EZO is also available as optional selection.

www.hubsmaster.com